



# LED LINEAR LIGHT

## FEATURES:

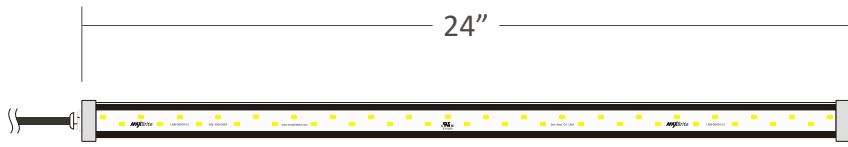
- Highly Effective Projection Lighting
- Ultra Bright 5730 SMD LED Technology
- Designed for Indoor/Outdoor Use
- Rated IP68 for Dry and Damp Locations
- Heavy Duty Glass Cover Protection
- 3 Year Manufacturer Warranty



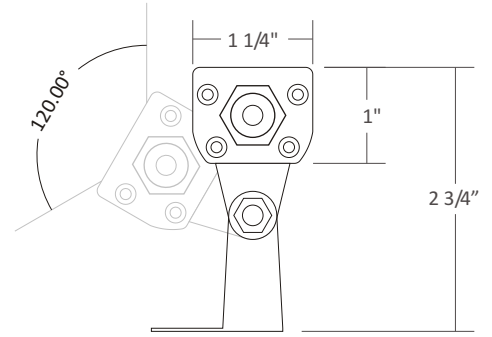
Part Number	CCT (Kelvin)	LED Type / PCS	Power Consumption	Luminous Flux	Voltage	Viewing Angle	Weight	Dimension
LNW-50K24-12	5000K	SMD 5730 / 36 LEDs	18 WATT	2,160lm	12V DC	120°	1.98 lbs.	23" x 1" x 1-1/4"
LNW-50K36-12	5000K	SMD 5730 / 48 LEDs	24 WATT	2,880lm	12V DC	120°	2.76 lbs.	36" x 1" x 1-1/4"
LNW-50K48-12	5000K	SMD 5730 / 72 LEDs	36 WATT	4,320lm	12V DC	120°	3.53 lbs.	48" x 1" x 1-1/4"
LNW-50K72-12	5000K	SMD 5730 / 96 LEDs	48 WATT	5,760lm	12V DC	120°	5.08 lbs.	72" x 1" x 1-1/4"

# MAXBrite

## SYSTEM DIMENSIONS



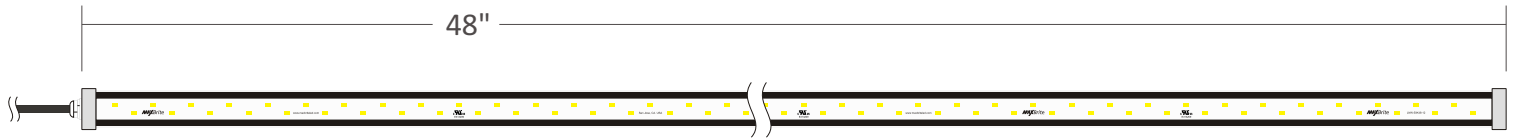
LNW-50K24-12



180° Stainless Steel Adjustment Bracket



LNW-50K36-12

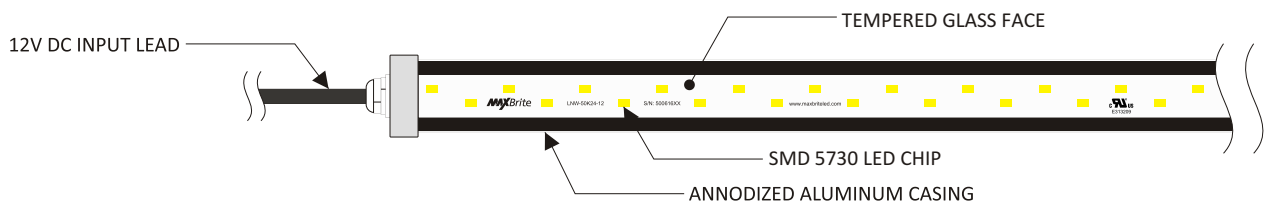


LNW-50K48-12



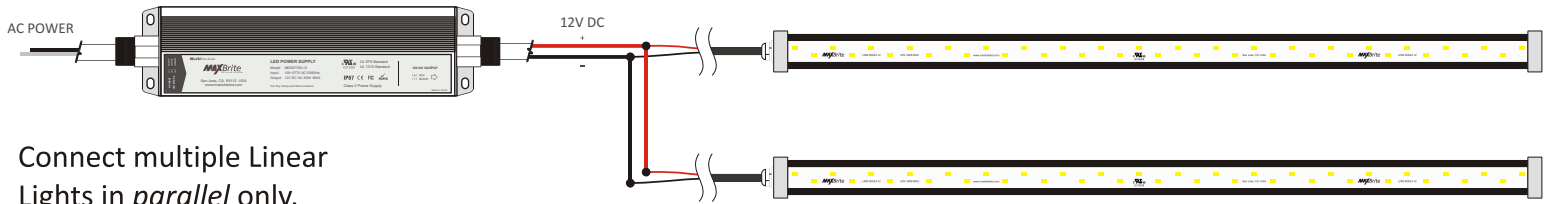
LNW-50K72-12

## SYSTEM DETAILS



# MAXBrite

## WIRING DIAGRAM



## POWER SUPPLY LOADING\*

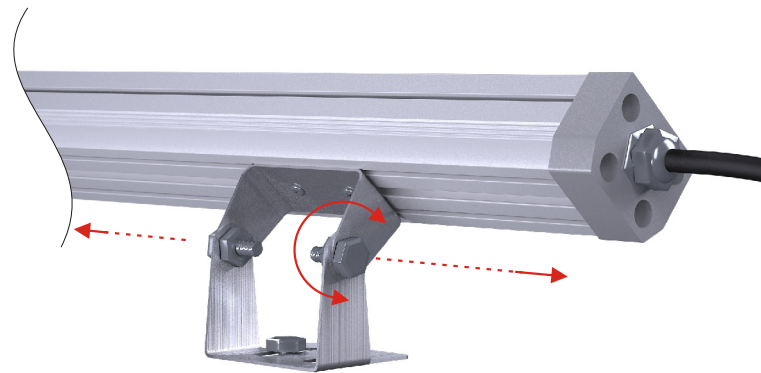
Output (W)		30W	40W	45W	60W
Model Specific Info	24" (18W)	1	1	2	2
	36" (24W)	1	1	1	2
	48" (36W)	0	0	1	1
	72" (48W)	0	0	0	1
Extension Wire Thickness		18AWG	16AWG	14AWG	12AWG
Extension Wire Length		30ft	50ft	75ft	100ft

\*Recommended power supply loading 75% of rated output per NEC to ensure long lifespan.

## INSTALLATION



Use supplied mounting bracket to secure Linear Light fixture.



Mounting bracket can slide horizontally, and rotate to desired angle.